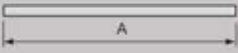








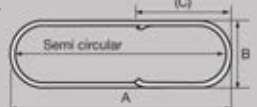

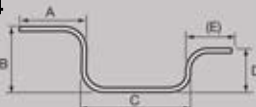
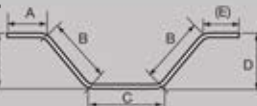




BS 8666:2000 Shape Codes

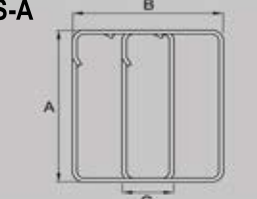
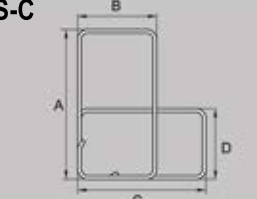
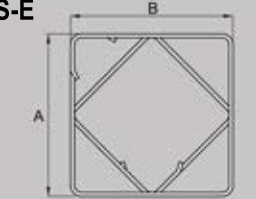
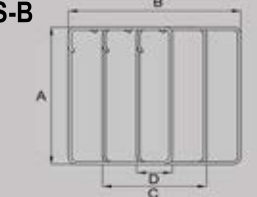
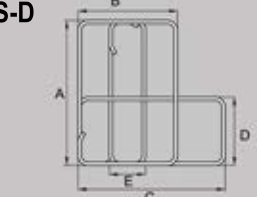
Reinforcements can be supplied cut and/or bent to the Shape Codes detailed in BS 8666:2000, some illustrated below.

Table 1 Standard shapes, their method of measurement and calculation of length

<p>01</p>  <p>A</p>	<p>11</p>  <p>$A + (B) - 0.5r - d$</p>	<p>12</p>  <p>$A + (B) - 0.43R - 1.2d$</p>
<p>13</p>  <p>$A + 0.578B + (C) - 1.6d$ B shall not be less than $2r + d$</p>	<p>15</p>  <p>$A + (C)$</p>	<p>21</p>  <p>$A + B + (C) - r - 2d$</p>
<p>25</p>  <p>$A + B + (E)$</p>	<p>26</p>  <p>$A + B + (C)$</p>	<p>31</p>  <p>$A + B + C + (D) - 1.5r - 3d$</p>
<p>33</p>  <p>$2A + 1.78B + 2(C) - 4d$ A shall not be less than $1.2d + 30mm$, B shall not be less than $2r + d$</p>	<p>41</p>  <p>$A + B + C + D + (E) - 2r - 4d$</p>	<p>44</p>  <p>$A + B + C + D + (E) - 2r - 4d$</p>
<p>46</p>  <p>$A + 2B + C + (E)$</p>	<p>63</p>  <p>$2A + 3B + 2(C) - 3r - 6d$</p>	<p>98</p>  <p>$A + 2B + C + (D) - 2r - 4d$</p>

Other non-standard shape reinforcements can be supplied cut and/or bent as required, some illustrated below.

Table 2 Non-Standard shapes

<p>NS-A</p> 	<p>NS-C</p> 	<p>NS-E</p> 
<p>NS-B</p> 	<p>NS-D</p> 	<p>NS-F</p> 